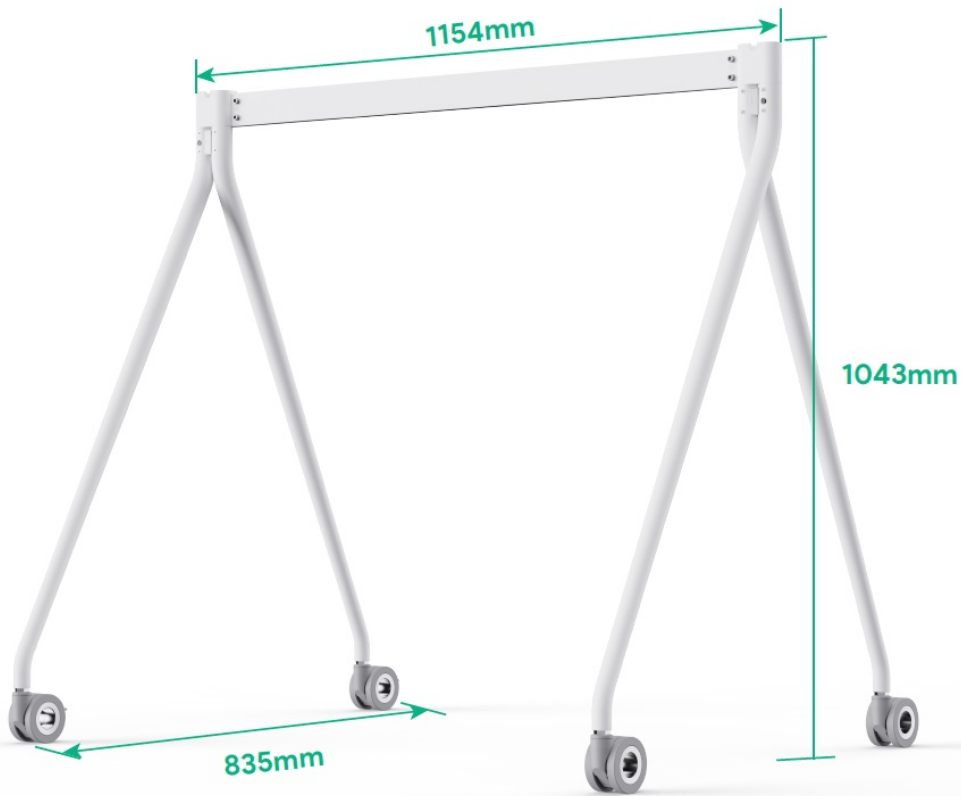


Stand

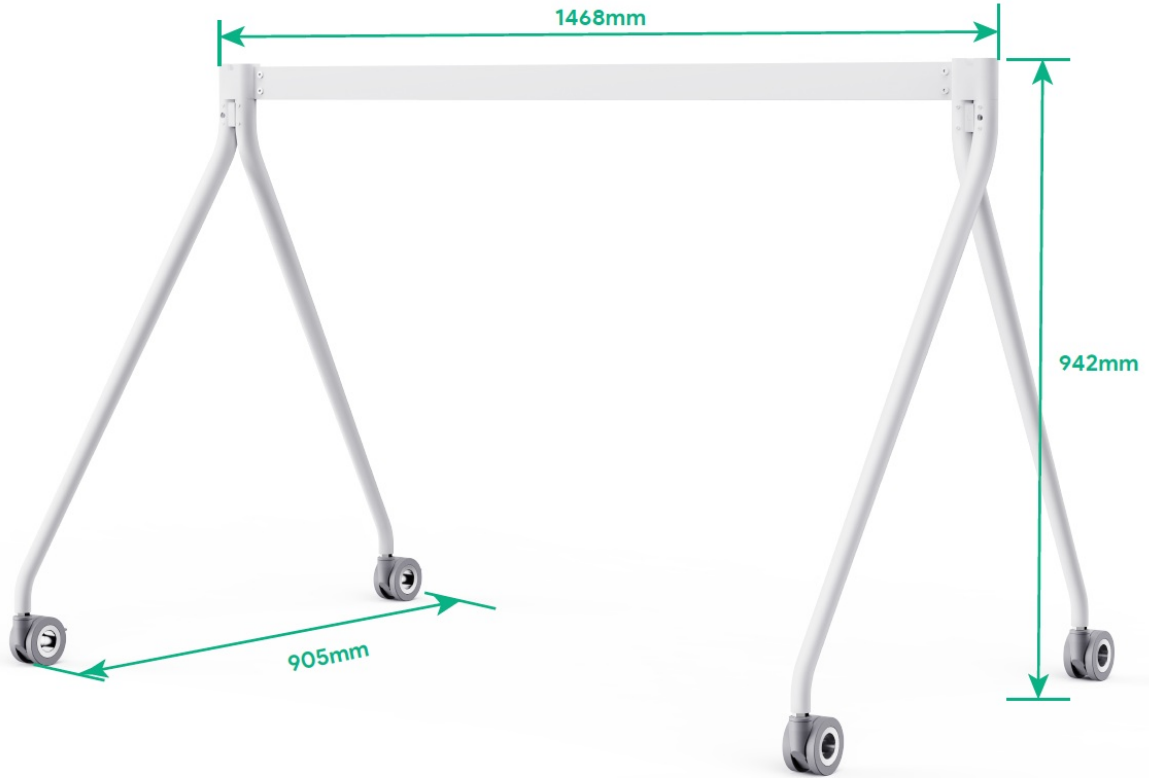
MB-FloorStand-650

Parameter	Description
Dimension (W.D.H)	<ul style="list-style-type: none"> · Dimension: 1154mm × 835mm × 1043mm · Carton Meas: 1125mm × 915mm × 148mm
Weight	<ul style="list-style-type: none"> · N.W/CTN: 13.5 kg · G.W/CTN: 16.4 kg



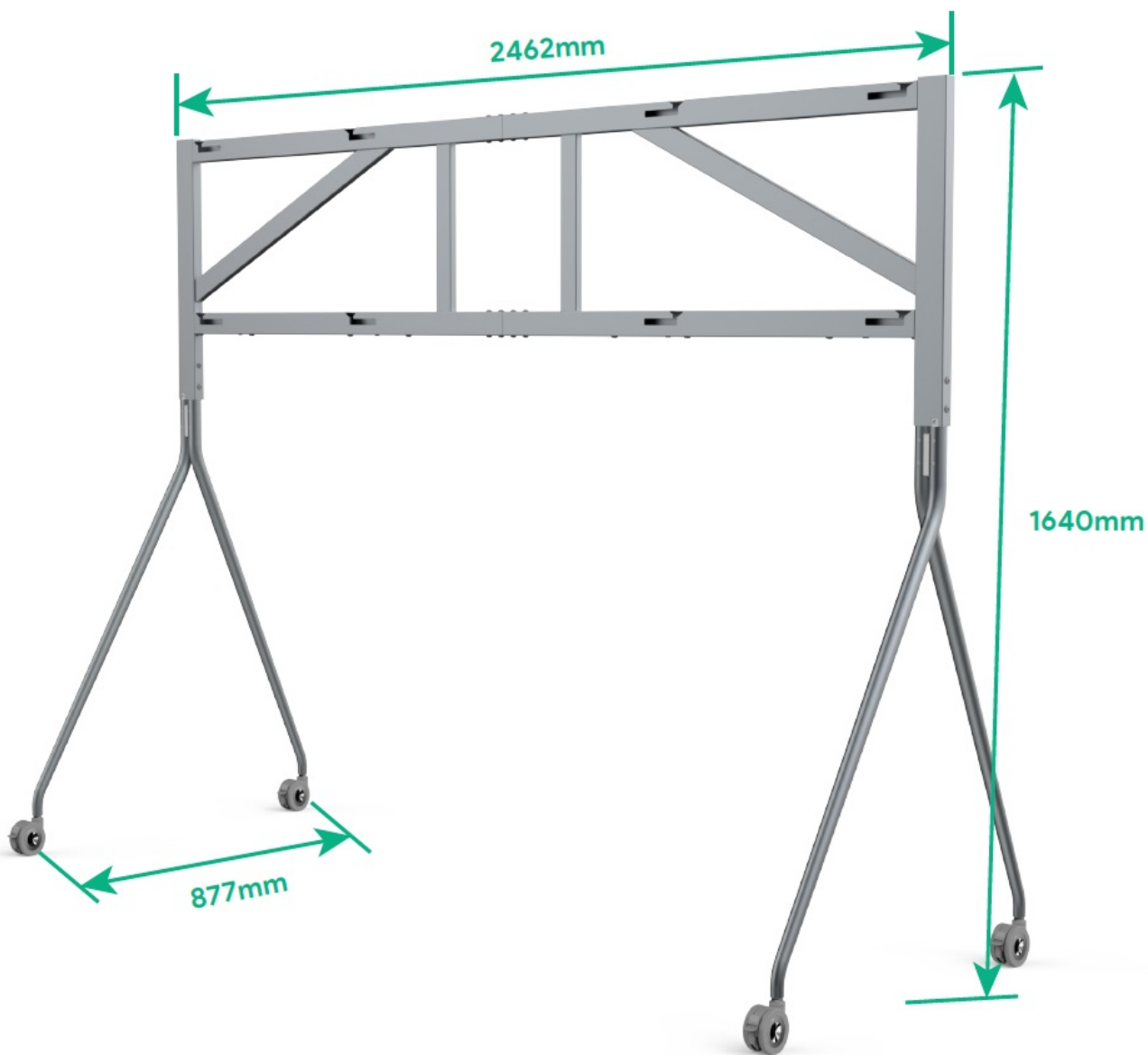
MB-FloorStand-860

Parameter	Description
Dimension (W.D.H)	<ul style="list-style-type: none"> · Dimension: 1468mm × 905mm × 942mm · Carton Meas: 1210mm × 985mm × 148mm
Weight	<ul style="list-style-type: none"> · N.W/CTN: 11.2 kg · G.W/CTN: 15.5 kg



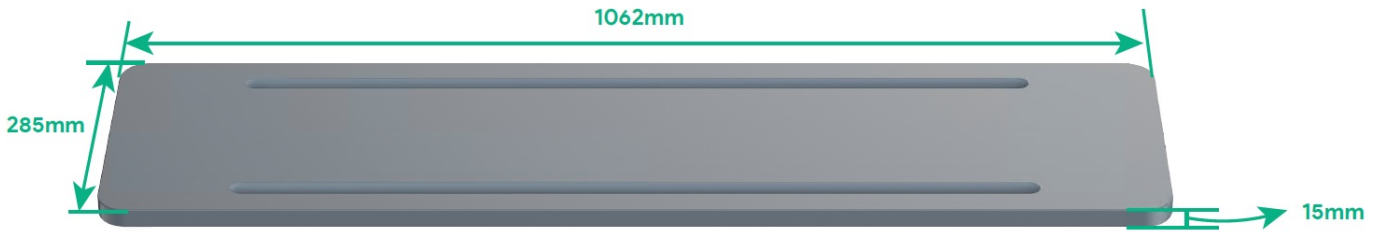
MB-FloorStand-D652

Parameter	Description
Dimension (W.D.H)	<ul style="list-style-type: none"> • Dimension: 2462mm × 1640mm × 877mm • Carton Meas: 1515mm × 1033mm × 225mm
Weight	<ul style="list-style-type: none"> • N.W/CTN:35.9 kg • G.W/CTN:42.85 kg



MB-Tray-650

Parameter	Description
Dimension (W.D.H)	<ul style="list-style-type: none"> • Dimension: 1062mm × 285mm × 15mm • Carton Meas: 1177mm × 358mm × 67mm
Weight	<ul style="list-style-type: none"> • N.W/CTN:4.87 kg • G.W/CTN:6.09 kg



MB-Tray-860

Parameter	Description
Dimension (W.D.H)	<ul style="list-style-type: none"> · Dimension: 1376mm × 365mm × 15mm · Carton Meas: 1492mm × 438mm × 67mm
Weight	<ul style="list-style-type: none"> · N.W/CTN: 7.45 kg · G.W/CTN: 9.3 kg



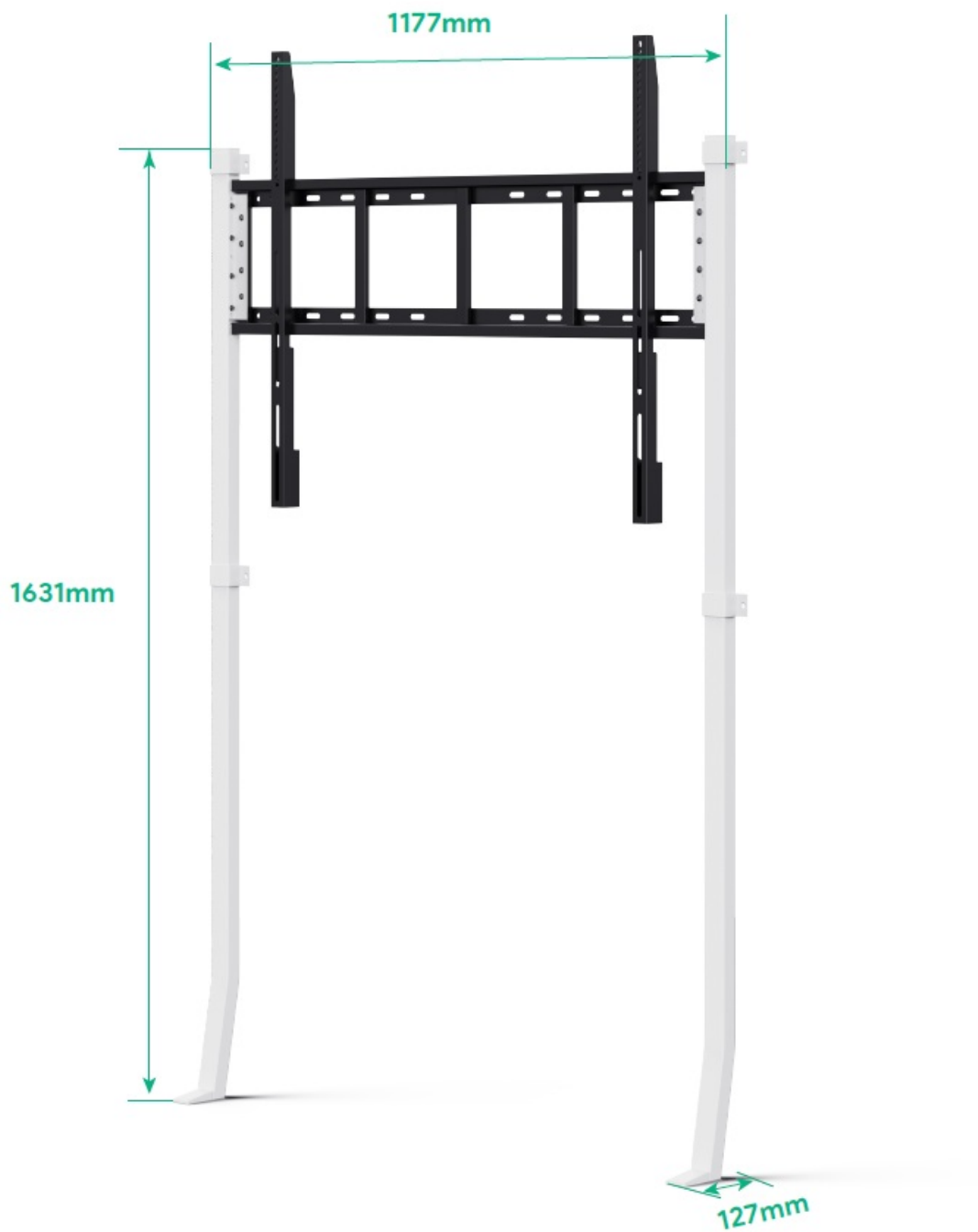
MB-WallStand-650

Parameter	Description
Dimension (W.D.H)	<ul style="list-style-type: none"> · Dimension: 1040mm × 127mm × 1547mm · Carton Meas: 1655mm × 198mm × 84mm
Weight	<ul style="list-style-type: none"> · N.W/CTN: 7.35kg · G.W/CTN: 8.4kg



MB-WallStand-860

Parameter	Description
Dimension (W.D.H)	<ul style="list-style-type: none"> · Dimension: 1177mm × 127mm × 1631mm · Carton Meas: 1727mm × 188mm × 123mm
Weight	<ul style="list-style-type: none"> · N.W/CTN: 8.3 kg · G.W/CTN: 9.65 kg



MB-Cart

Parameter	Description
Dimension (W.D.H)	<ul style="list-style-type: none"> · Dimension: 340mm × 363mm × 195mm · Carton Meas: 493mm × 465mm × 340mm
Weight	<ul style="list-style-type: none"> · N.W/CTN: 12.408 kg · G.W/CTN: 13.216 kg

